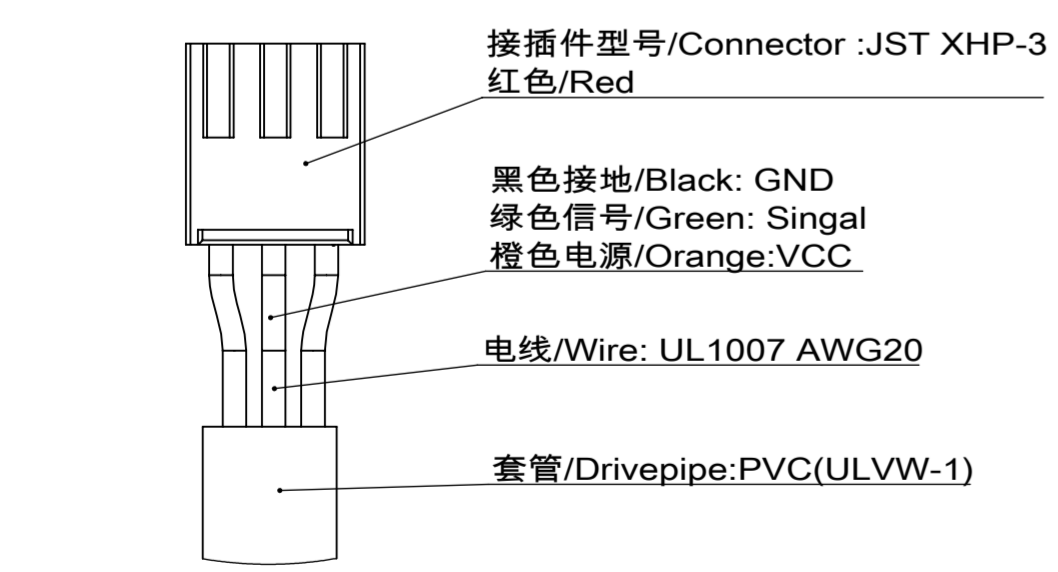
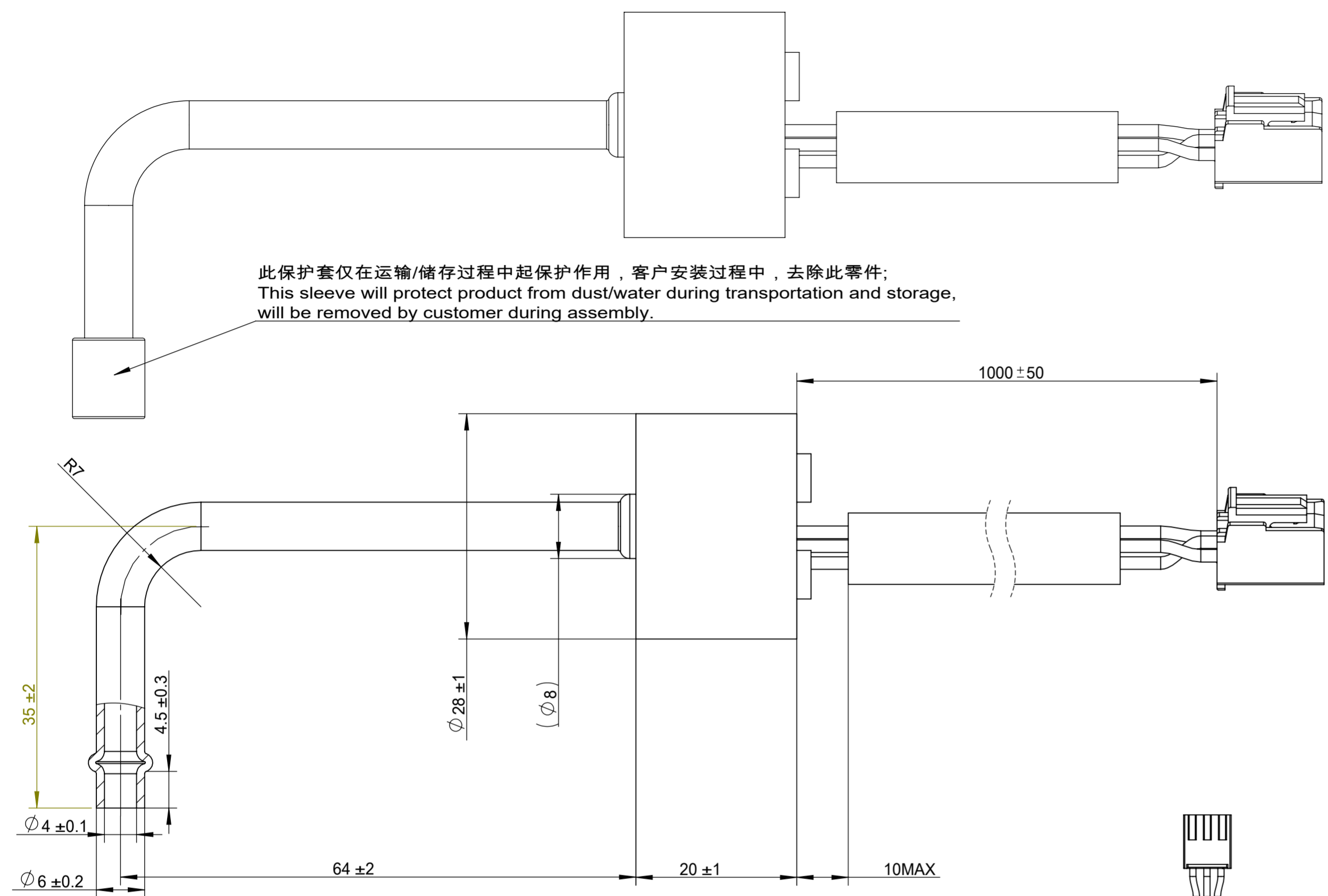
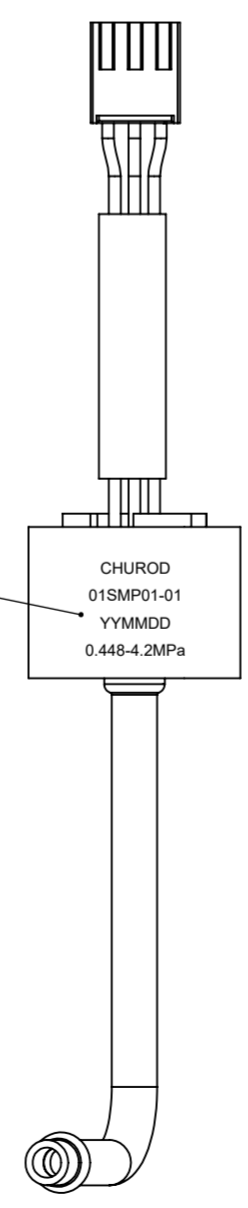


ZONE	REV	DESCRIPTION	ECN NUMBER	DATE	APPROVED
	1	Initial release	ECN000019	2022-09-08	John Du



激光打码内容/Laser Marking:
01SMP01-01 : 中汇瑞德产品编号/Churod Product Code
YYMMDD:生产年月日/Date of production
0.448~4.2MPaG:压力范围/Pressure Range



精度误差/Accuracy

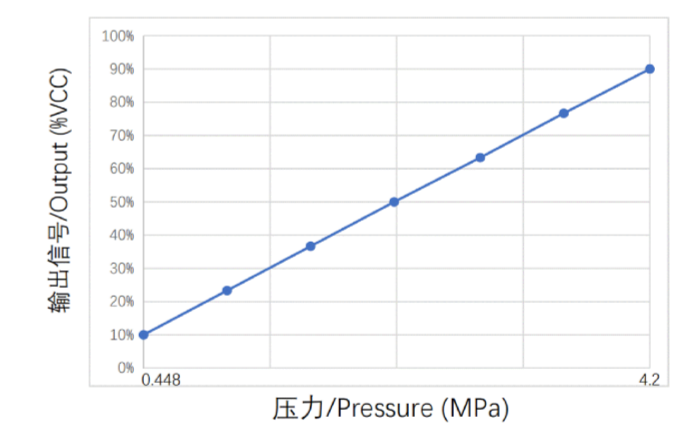
- 1.1 基本精度/Basic Accuracy: $\pm 1.5\%FS @ 25^{\circ}C$
- 1.2 全误差带/Total Error: $\pm 2.5\%FS$

注: 基本精度指包括非线性/迟滞/短期重复性在内的温度精度误差。
全误差带是全温度/全压力范围内的产品精度。
Note: Basic accuracy includes Non-Linear/Hysterisis & Short term Repeatability Accuracy @room temperature.
Total Error is accuracy in whole temperature and pressure range.

2. 性能规格/Specifications

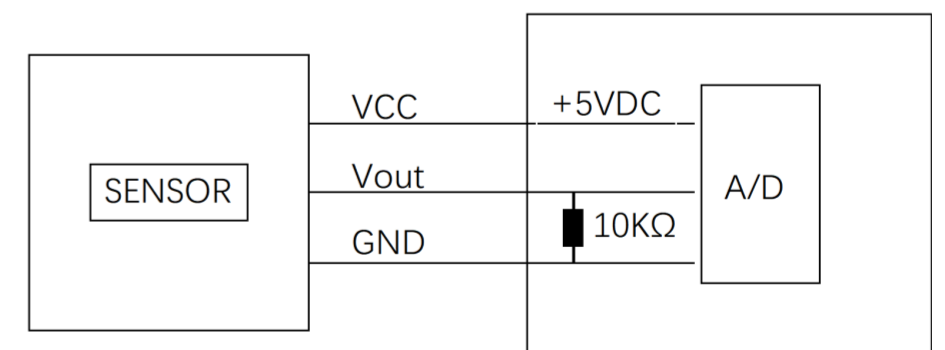
- 2.1 供电电压/Supply Voltage: 5.0±0.5 VDC
- 2.2 供电电流/Supply Current: 10mA MAX
- 2.3 压力介质/Pressure Medium: R410A,R134A,R22,R32,R404A,R407C
- 2.4 压力范围/Pressure Range: 0.448 ~ 4.2MPa
- 2.5 耐压压力/Proof Pressure: 9MPa
- 2.6 破坏压力/Burst Pressure: 13.5MPa
- 2.7 工作温度/Operating Temp.Range: -40~+120°C
- 2.8 输出电压/Output Voltage: 0.5~4.5VDC(Vcc=5.0 VDC)
- 2.9 绝缘阻抗/Insulation Resistance: 100 Mohm(500VDC)
- 2.10 电气强度/Electric Strength: 1800 VAC,1S or 1500VAC,60S
- 2.11 过电压/Over Voltage: 20V
- 2.12 反向电压/Reverse Voltage: -14V
- 2.13 IP等级/IP Level: IP66

3. 输出特性/Output Characteristics



$V_{out} = V_{cc} * (0.2132 * P_g + 0.00448)$, $P_g = \text{MPa gauge}$
 V_{out} : 输出电压 (Outout Voltage)[VDC]
 V_{cc} : 供电电压 (Supply Voltage)[VDC]
 P_g : 输入压力 (Input Pressure)[MPa]
 Note: 0MPa gauge = 0.1013MPa abs

4. 电气连接图(Electric Installation)



ALL RIGHT RESERVED			528 FANGQIAO ROAD XIANGCHENG DISTRICT SUZHOU CHINA	
NEITHER THIS PRINT NOR THE INFORMATION CONTAINED HEREON IS TO BE USED AGAINST THE INTERESTS OF CHUROD SENSING TECHNOLOGIES OR AGAINST THE INTERESTS OF ANY OF ITS AFFILIATED COMPANIES OR WHOLLY OWNED SUBSIDIARIES.			CHUROD ELECTRONICS	
DRAWN	Steven Xu	INTERPRET DIMENSIONING AND TOLERANCING PER ASME Y14.5-2009. UNLESS OTHERWISE SPECIFIED DIMENSIONS ARE IN MILLIMETERS.	TITLE	
DATE	2022-09-08		VRF(HR)-ENV	
ENGINEER	.	TOLERANCES LINEAR: ±0.5 ANGULAR: ±3°	SIZE	NUMBER
DATE	.		A2	01SMP01-01
APPROVED	John Du	DO NOT SCALE DRAWING	SCALE	2:1
DATE	2022-09-08		METHOD	SHEET
		THIRD ANGLE PROJECTION		